



SOLID DRILLING SOLUTIONS
YOUR PARTNER WITH A SOLUTION

NO	PART NUMBER	DESCRIPTION
1	3719 0066 92	Rot. Unit B-H basic 110CC U6
2	0663 9191 01	O-ring
3	3719 0009 23	Flange
4	0211 5366 00	Cap screw
5	0570 7025 15	Nipple
6	0570 7000 11	Cap
7	3176 6511 00	Nipple
8	3176 6512 00	Nipple
9	3176 3060 00	Elbow
10	0570 5010 42	Nipple
11	3176 5313 00	Cap
12	3176 6534 00	Nipple
13	3715 0585 00	Elbow
14	3176 8490 00	Nipple
15	3742 1278 00	Count.Press.Valve
16	3176 6515 00	Nipple
17	3176 6590 00	Tee
18	3715 0597 00	Cap
19	3176 6549 00	Elbow
20	3176 7336 00	Nipple
21	0574 0071 32	Hose 3/8" I=500 360bar
22	3716 5577 03	Sign
23	3719 0066 41	Sensor bracket B-H rotation

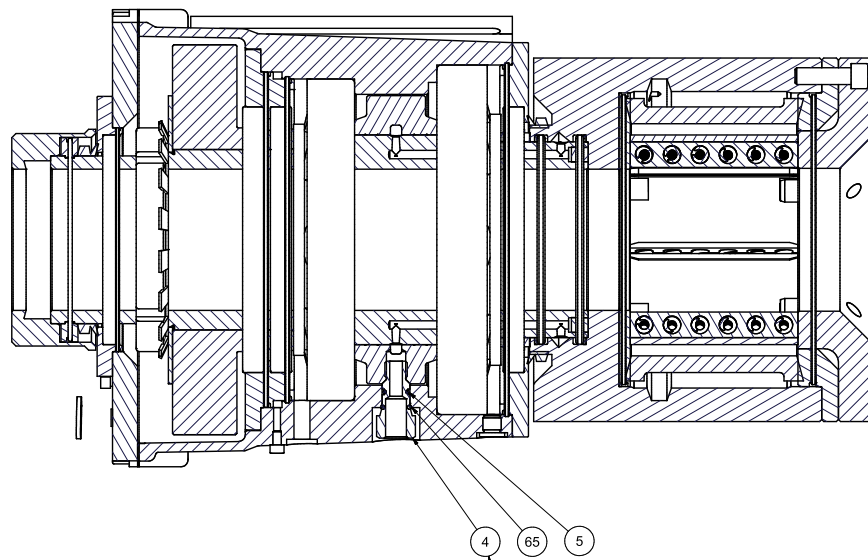
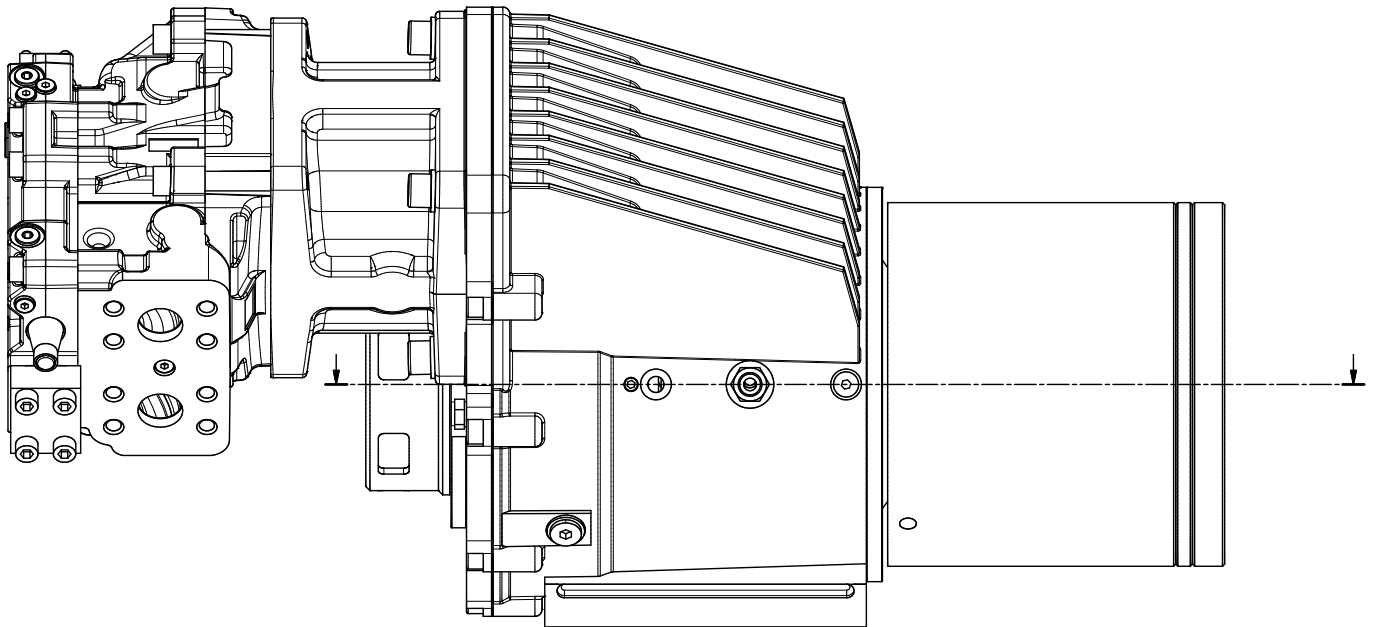
NO	PART NUMBER	DESCRIPTION
1	3719 0067 11	Housing B-H
2	3719 0066 08	Shaft B-H
3	3719 0060 41	Bushing B-H rotation
4	3719 0060 46	Connection
5	0663 3123 00	O-ring
6	3719 0001 29	Spacer ring
7	3719 0001 28	Front flange
8	3719 0001 30	Rear spacer ring
9	3719 0001 33	Inner flange
10	3719 0001 35	Gear wheel
11	3719 0007 38	Pinion
12	3719 0008 04	Washer
13	3719 0002 40	Indicator disc
14	3719 0066 13	Gasket
15	3719 0006 39	Cover
16	3719 0006 51	Rear flange
17	3719 0001 32	Locking ring
18	3719 0066 39	Guide cover
19	3719 0002 74	Hydraulic motor, 110cc
20	0509 0121 22	Bearing
21	0509 0121 21	Bearing
22	0337 8349 00	Parallel key
23	0333 6136 01	Lock washer
24	0295 3136 08	Lock nut
25	0666 6000 46	Seal
26	0666 6000 25	Seal
27	0666 8000 26	Seal
28	0666 8000 00	Seal
29	0663 2111 72	O-ring
30	0663 2111 62	O-ring
31	0663 2111 71	O-ring
32	0663 2111 60	O-ring
33	0663 2111 61	O-ring
34	0663 2100 30	O-ring
35	0663 2108 97	O-ring
36	0663 6152 00	O-ring
37	0101 1364 00	Parallel pin
38	0211 1957 51	Cap screw
39	0211 1320 03	Cap screw
40	0211 1957 56	Cap screw
41	0211 1400 03	Cap screw
42	0211 5366 00	Cap screw
43	0211 1477 00	Cap screw
44	3719 0004 57	Chuck housing

NO	PART NUMBER	DESCRIPTION
45	3719 0004 58	Wear plate
46	3716 5018 00	Rubber sleeve
47	3715 9273 00	Jaw holder
48	3716 5200 00	Spring
49	3719 0004 59	Inner flange
50	3716 5126 00	Cover
51	3715 9032 00	Plug
52	0101 2626 00	Parallel pin
53	0661 1573 00	Back-up ring
54	0663 2155 00	O-ring
55	0211 1957 55	Cap screw
56	0211 1403 03	Cap screw
57	3719 0002 02	Oil indicator
58	0686 3718 02	Plug
59	0661 1030 00	Seal washer
60	3719 0002 03	Plug
61	3719 0005 44	Breather plug
62	3176 7868 06	Plug
63	0686 6442 07	Plug
64	0301 2378 00	Washer
65	0663 2125 01	O-ring
66	3719 0066 14	Gasket
67	0661 1005 00	Seal washer
68	37190 005 45	Plug

NO	PART NUMBER	DESCRIPTION
1	3719 0064 79	Rot. Unit B-H basic 160CC U6
2	0663 9191 01	O-ring
3	3719 0009 24	Flange
4	0211 5366 00	Cap screw
5	0570 7025 15	Nipple
6	0570 7000 11	Cap
7	3176 6511 00	Nipple
8	3176 6512 00	Nipple
9	3176 3060 00	Elbow
10	0570 5010 42	Nipple
11	3176 5313 00	Cap
12	3176 6534 00	Nipple
13	3715 0585 00	Elbow
14	3176 8490 00	Nipple
15	3742 1278 00	Count.Press.Valve
16	3176 6515 00	Nipple
17	3176 6590 00	Tee
18	3715 0597 00	Cap
19	3176 6549 00	Elbow
20	3176 7336 00	Nipple
21	0574 0071 32	Hose 3/8" l=500 360bar
22	3716 5577 03	Sign
23	3719 0066 41	Sensor bracket B-H rotation

NO	PART NUMBER	DESCRIPTION
1	3719 0067 11	Housing B-H
2	3719 0066 08	Shaft B-H
3	3719 0060 41	Bushing B-H rotation
4	3719 0060 46	Connection
5	0663 3123 00	O-ring
6	3719 0001 29	Spacer ring
7	3719 0001 28	Front flange
8	3719 0001 30	Rear spacer ring
9	3719 0001 33	Inner flange
10	3719 0001 35	Gear wheel
11	3719 0007 38	Pinion
12	3719 0008 04	Washer
13	3719 0002 40	Indicator disc
14	3719 0066 13	Gasket
15	3719 0006 39	Cover
16	3719 0006 51	Rear flange
17	3719 0001 32	Locking ring
18	3719 0066 39	Guide cover
19	3719 0002 76	Hydraulic motor, 160cc
20	0509 0121 22	Bearing
21	0509 0121 21	Bearing
22	0337 8349 00	Parallel key
23	0333 6136 01	Lock washer
24	0295 3136 08	Lock nut
25	0666 6000 46	Seal
26	0666 6000 25	Seal
27	0666 8000 26	Seal
28	0666 8000 00	Seal
29	0663 2111 72	O-ring
30	0663 2111 62	O-ring
31	0663 2111 71	O-ring
32	0663 2111 60	O-ring
33	0663 2111 61	O-ring
34	0663 2100 30	O-ring
35	0663 2108 97	O-ring
36	0663 6152 00	O-ring
37	0101 1364 00	Parallel pin
38	0211 1957 51	Cap screw
39	0211 1320 03	Cap screw
40	0211 1957 56	Cap screw
41	0211 1400 03	Cap screw
42	0211 5366 00	Cap screw
43	0211 1477 00	Cap screw
44	3719 0004 57	Chuck housing

NO	PART NUMBER	DESCRIPTION
45	3719 0004 58	Wear plate
46	3716 5018 00	Rubber sleeve
47	3715 9273 00	Jaw holder
48	3716 5200 00	Spring
49	3719 0004 59	Inner flange
50	3716 5126 00	Cover
51	3715 9032 00	Plug
52	0101 2626 00	Parallel pin
53	0661 1573 00	Back-up ring
54	0663 2155 00	O-ring
55	0211 1957 55	Cap screw
56	0211 1403 03	Cap screw
57	3719 0002 02	Oil indicator
58	0686 3718 02	Plug
59	0661 1030 00	Seal washer
60	3719 0002 03	Plug
61	3719 0005 44	Breather plug
62	3176 7868 06	Plug
63	0686 6442 07	Plug
64	0301 2378 00	Washer
65	0663 2125 01	O-ring
66	3719 0066 14	Gasket
67	0661 1005 00	Seal washer
68	3719 0005 45	Plug



- 4
- 65
- 5

Tightening torque 60 Nm